



# PRENSA PLUMAS



The Domfesa feather press, of excellent quality, made of stainless steel is designed to drain a large amount of water from the feathers.

The press can receive feathers together with the water that transports it from the pumping system that the slaughterhouse has or from a feather separator.

It is completely designed in stainless steel, and it is able to capture those smaller feathers and drain them in a continuous way.

The water obtained from the pressing of the feathers is evacuated through a pipe located at the bottom. The dry feathers are discharged from the front of the press.

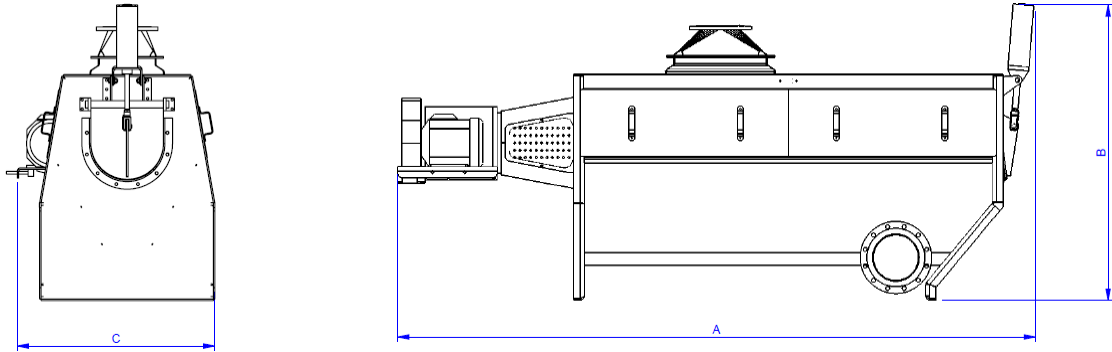
The Domfesa feather press has the following characteristics

:

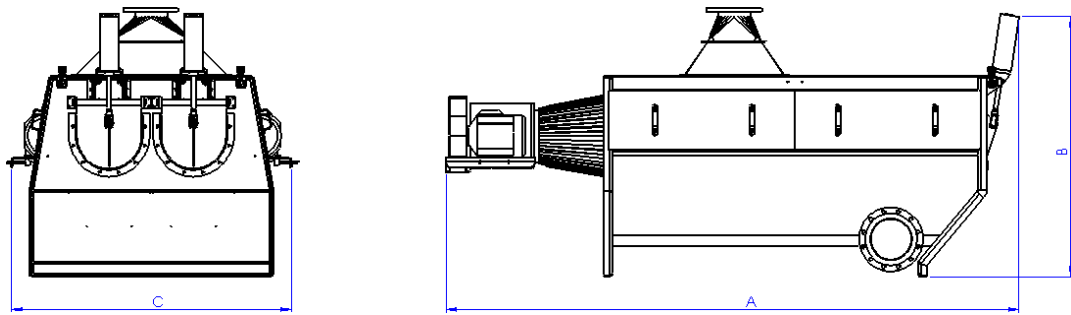
- Continuous operation.
- Designed to work with chicken, duck and turkey feathers.
- Significant reduction in feather weight.
- 55% reduction in feather moisture content.
- Energy saving and low environmental impact

## TECHNICAL SPECIFICATIONS

Reference : 067 - 12S , 067 - 24S



Reference : 067 - 24D



Technical specifications	Ref .- 067-12S	Ref .- 067-24D	Ud
Chicken capacity (live weight)	<24000	<48000	kg/h
Turkey capacity (live weight)	N/A	N/A	kg/h
Capacity: Wet chicken feather	<3150	<6350	kg/h
Capacity: Wet turkey feather	N/A	N/A	kg/h
Water flow rate	60	120	m <sup>3</sup>
Weight	1500	3250	kg
Dimensions			mm
	<b>A</b>	3510	
	<b>B</b>	1620	mm
	<b>C</b>	1090	mm
Engine power	7.5	2 x 7.5	kW
M/3 Hour	12	24	m/3 hora