



## BUCKET ELEVATORS:

### DESIGN AND FEATURES

The bucket elevators designed and manufactured by Domfesa have a great capacity for intensive industrial transport. They are a fast, economic and sustainable solution to overcome vertical heights.

In Domfesa we design, manufacture and assemble the elevators with different sizes, performance and materials, adapting to the needs of the client.

We have a wide variety of buckets and belts to be able to adapt to every situation that arises in the plant.

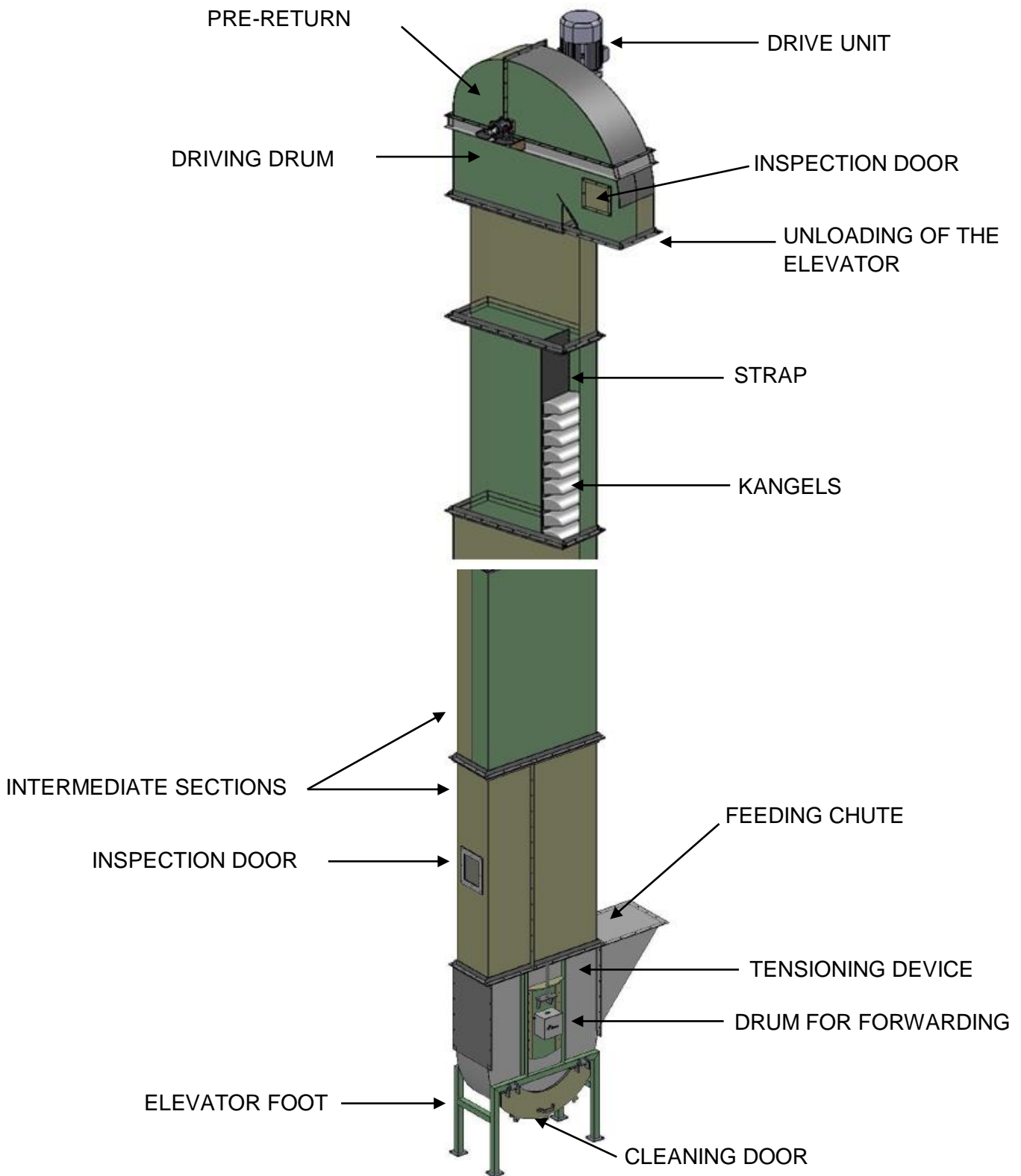
Excellent watertightness, guaranteeing that no material is lost.

Composed of bolted parts, modular industrialised design, allowing any worn part to be replaced with a new one, as well as facilitating agile and simple maintenance.

Anti-pollution designs, which guarantee the minimum number of holes to avoid the accumulation of dirt and filtrations.

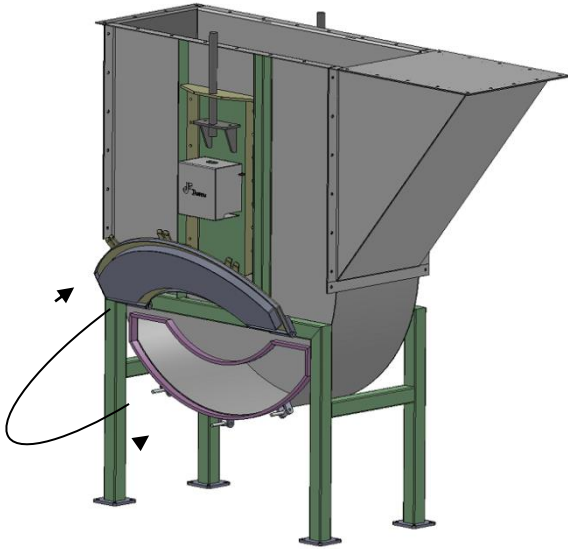
High mechanical performance, ensuring low energy consumption.

Within our standard designs, we have innovative maintenance and cleaning systems, designed and calculated by our R&D team.

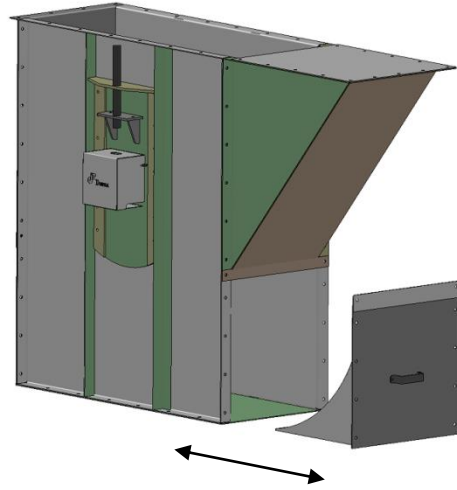


DOMFESA DESIGNS BUCKET ELEVATOR TENSIONING PART.

CLEANING DOOR



CLEANING DRAWER



Pol. Ind. "El camí dels Frares" Calle F. parcela 8  
25190 - Lleida (Espanya)

973 201 007

email: [info@domfesasl.es](mailto:info@domfesasl.es)  
[www.domfesasl.com](http://www.domfesasl.com)

