

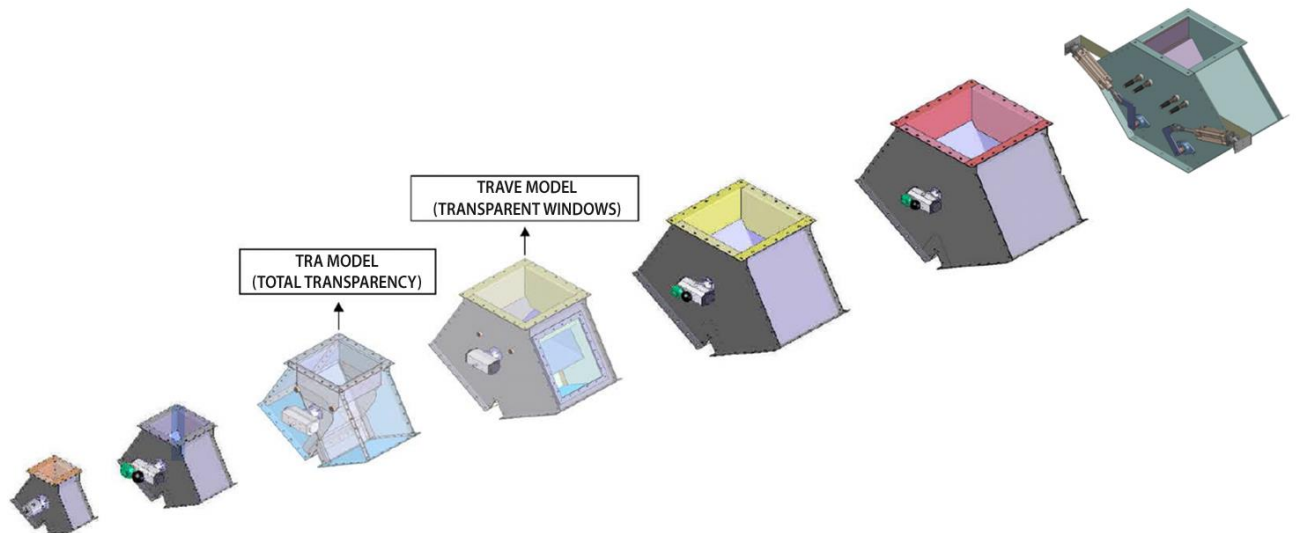
GEARBOX (Bypass-Casings)

HIS DESIGN

We manufacture with different materials, always adapting our designs to the requirements presented by our clients. We mainly work with stainless steel, carbon steel, anti-wear steel and polycarbonate; that allows a total or partial transparency of the system, so that the material that circulates inside is visible.

Our bypasses are designed with square feed; this can be transformed, whenever desired, into a round one according to the accessories designed by Domfesa. The standard measurements are 100, 200, 300, 400 and 500 mm. All pipe and section diameters can be adapted to any market measure.

We have designs that include 2 outlet channels, or even 3 outlet channels, of material.



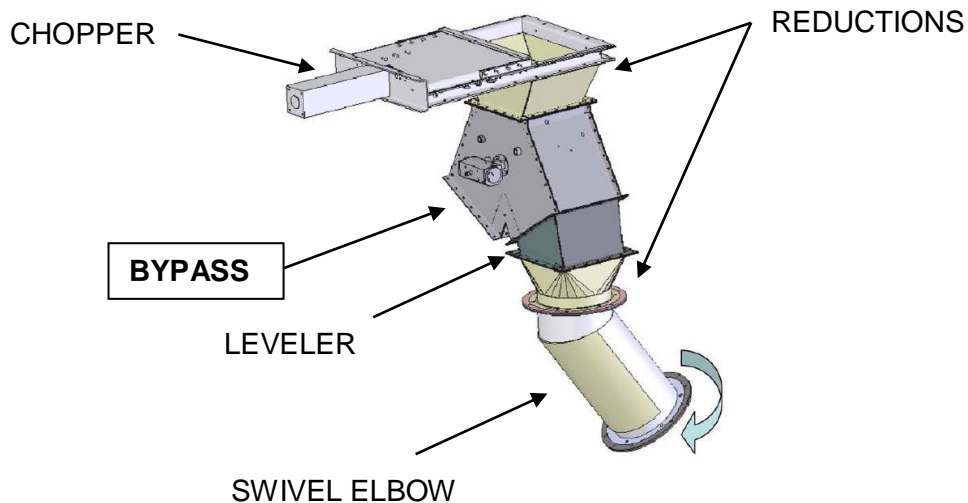
FEATURES

- Bypass / tripass-gearbox made of carbon steel, stainless steel, polycarbonate or anti-wear.
- Composed of screwed parts, industrialized designs, being able to change any worn part for a new one by means of screws or combine different accessories in the same way.
- Possibility of partial or complete transparency
- It is coupled to the modular market system.
- Adaptable to all kinds of conduits, sections, routes and geometries.
- Stock for spare parts and maintenance.

ACCESSORIES

Domfesa bypasses have a wide variety of accessories, such as: standard hoppers or custom-designed hoppers, sliders, reductions and complex output geometries, among others.

Example:



Pol. Ind. "El camí dels Frares" Calle F. parcela 8
25190 - Lleida (Espanya)

973 201 007

email: info@domfesasl.es
www.domfesasl.es

